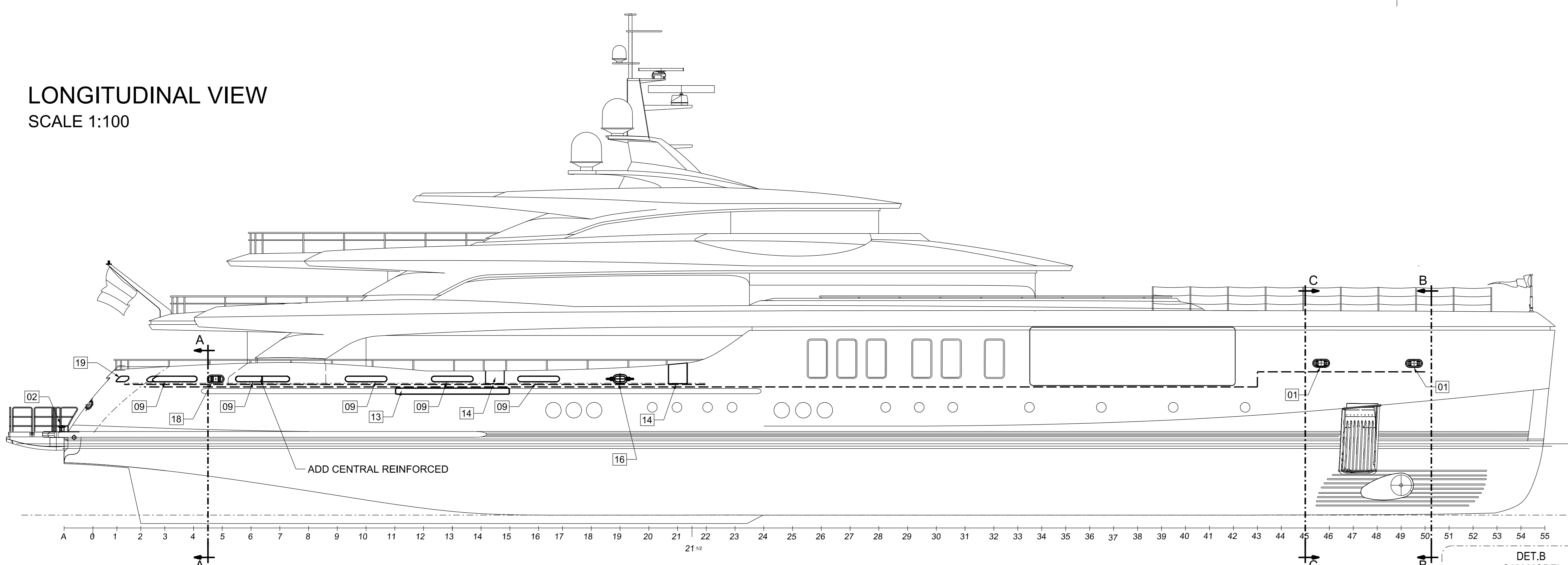
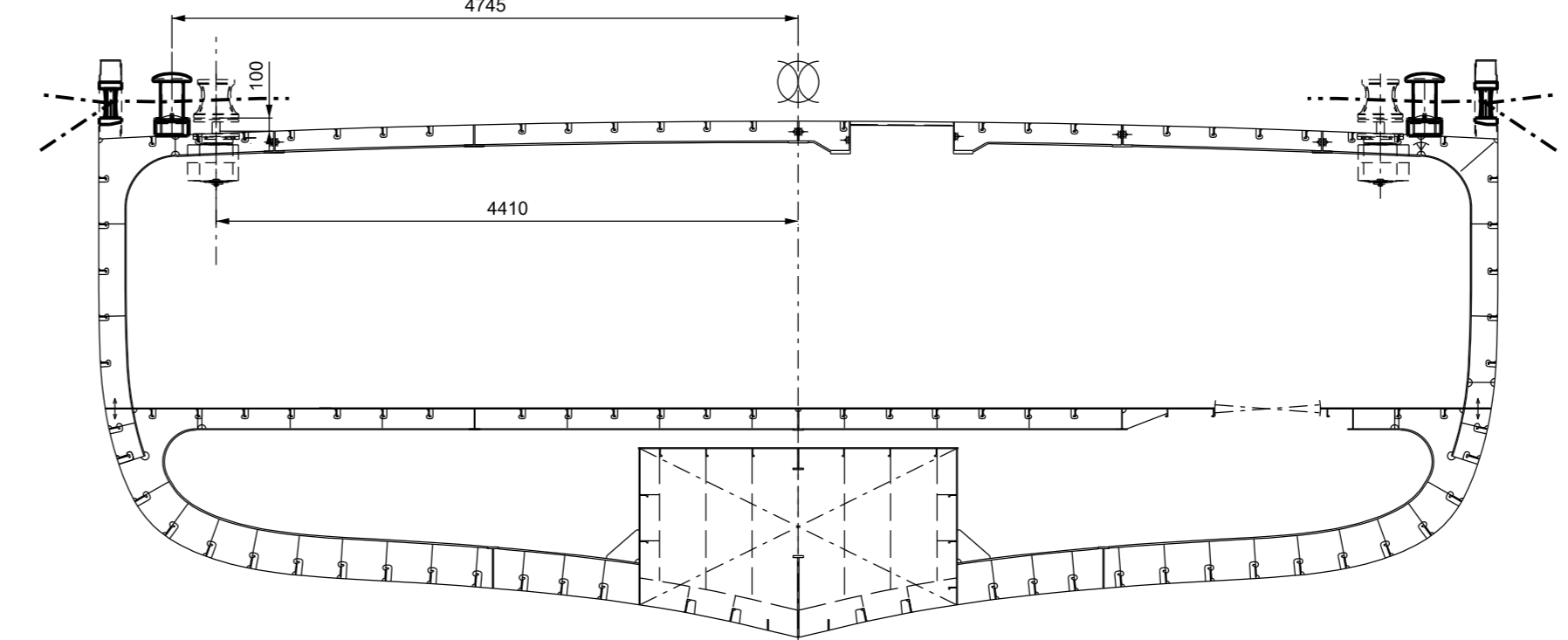


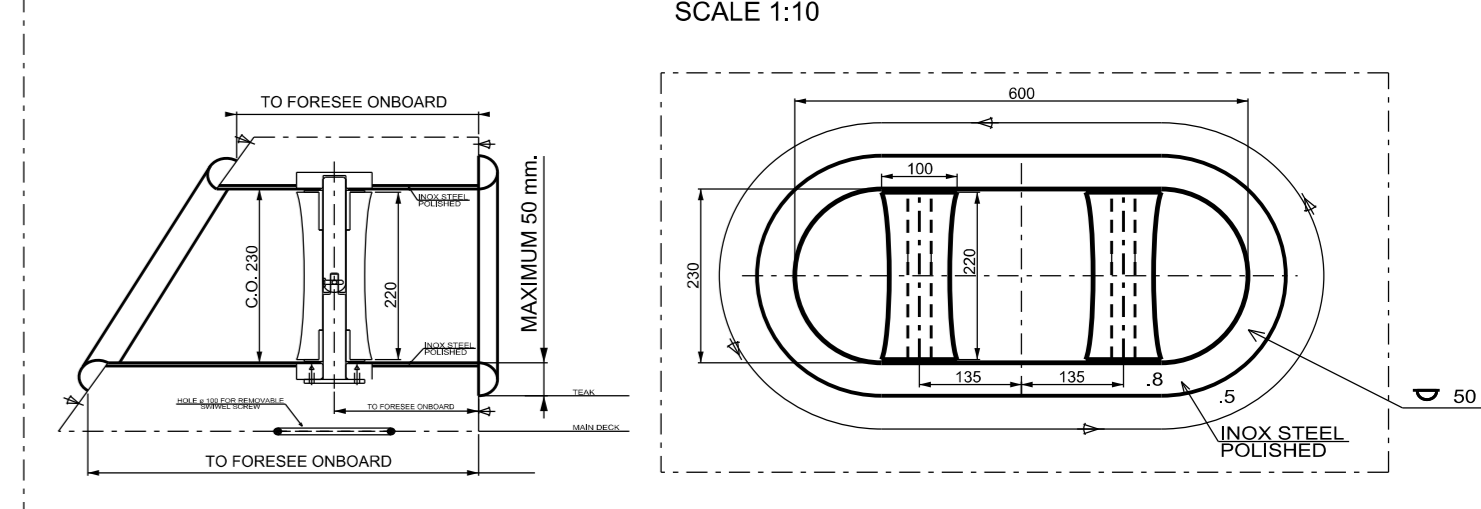
**LONGITUDINAL VIEW**  
SCALE 1:100



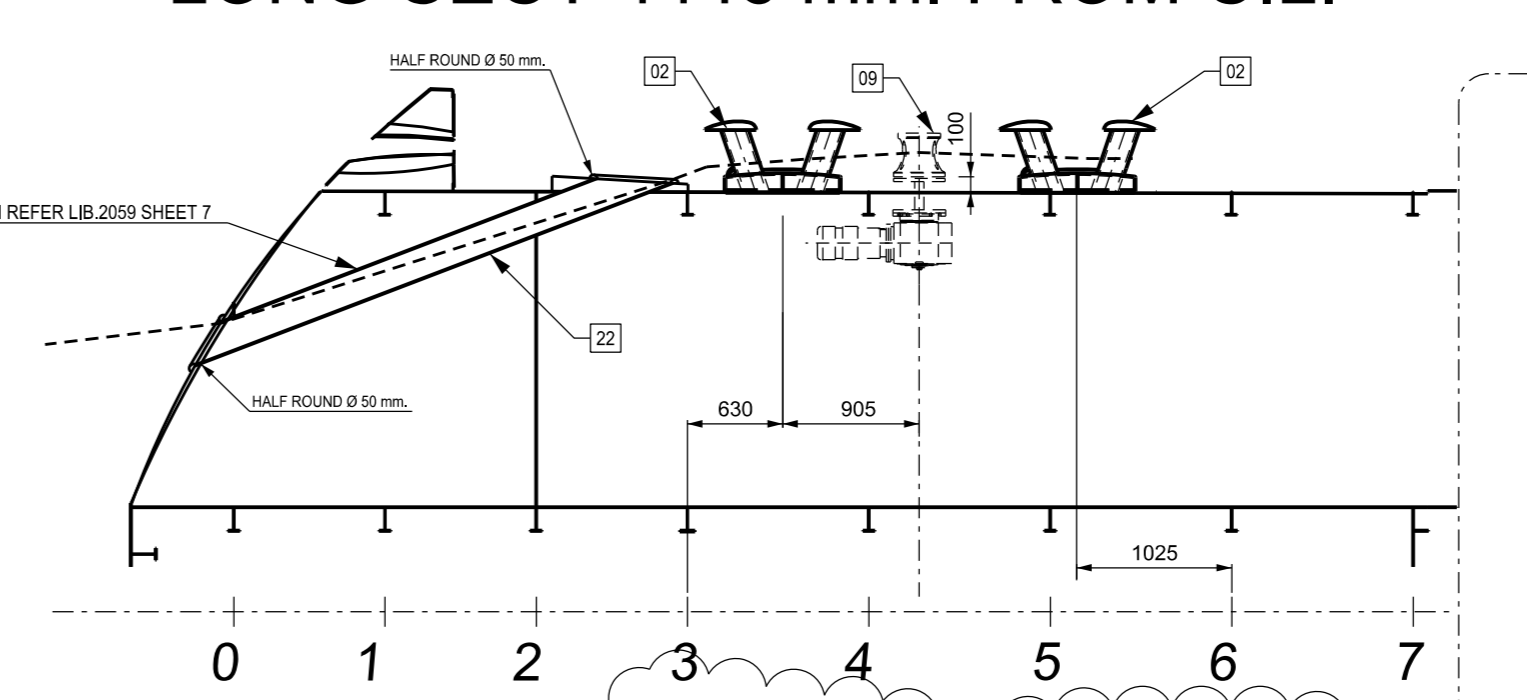
**SECTION A-A FRAME 5-900 mm.**



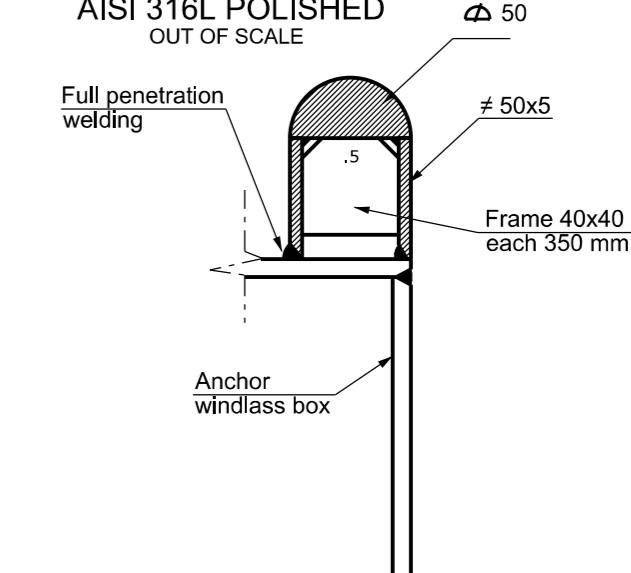
**DETAIL ITEM 19**  
SCALE 1:10



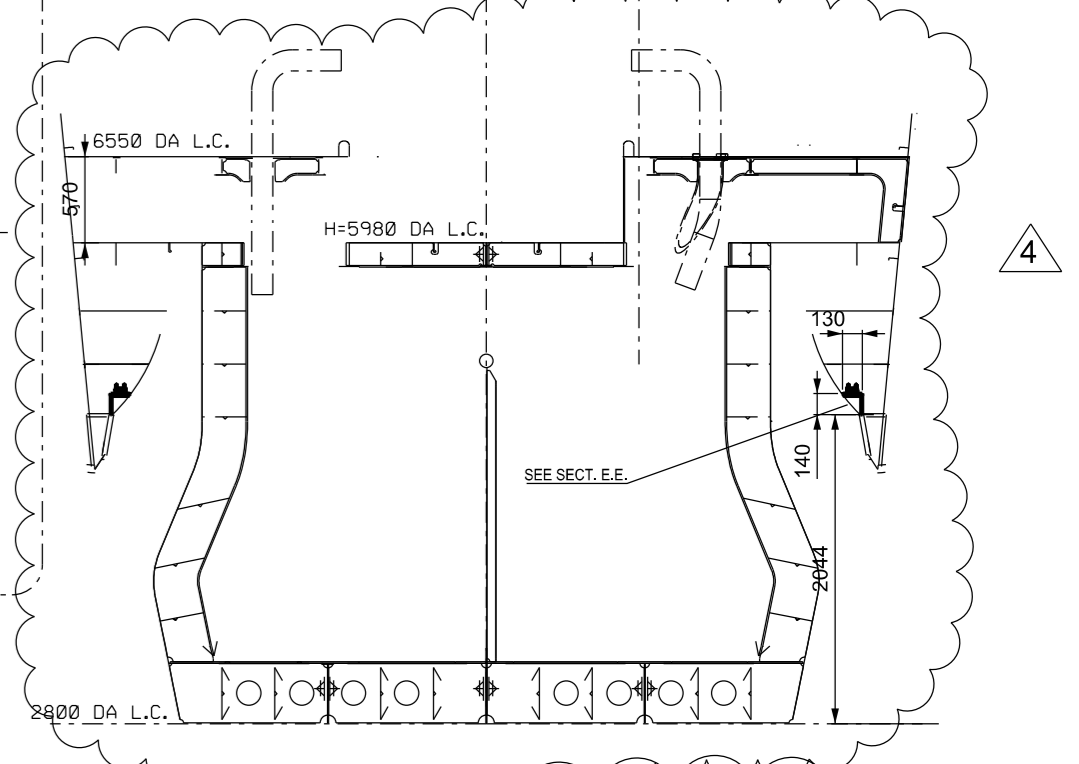
**LONG SECT 4445 mm. FROM C.L.**



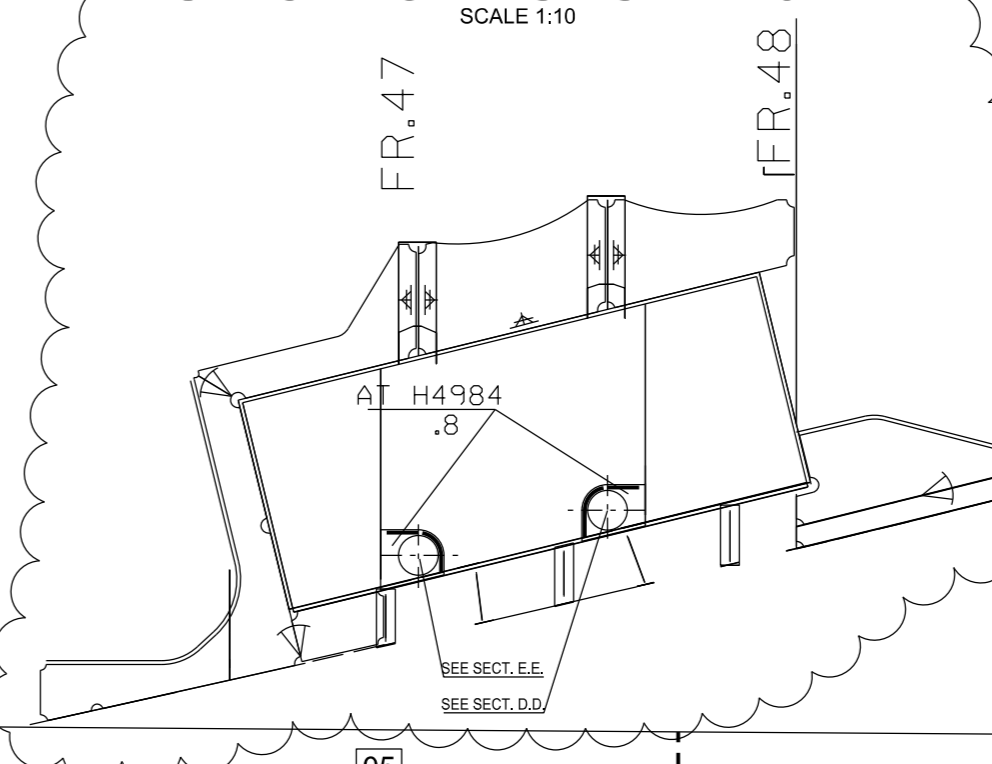
**DETAIL A**  
AISI 316L POLISHED  
OUT OF SCALE



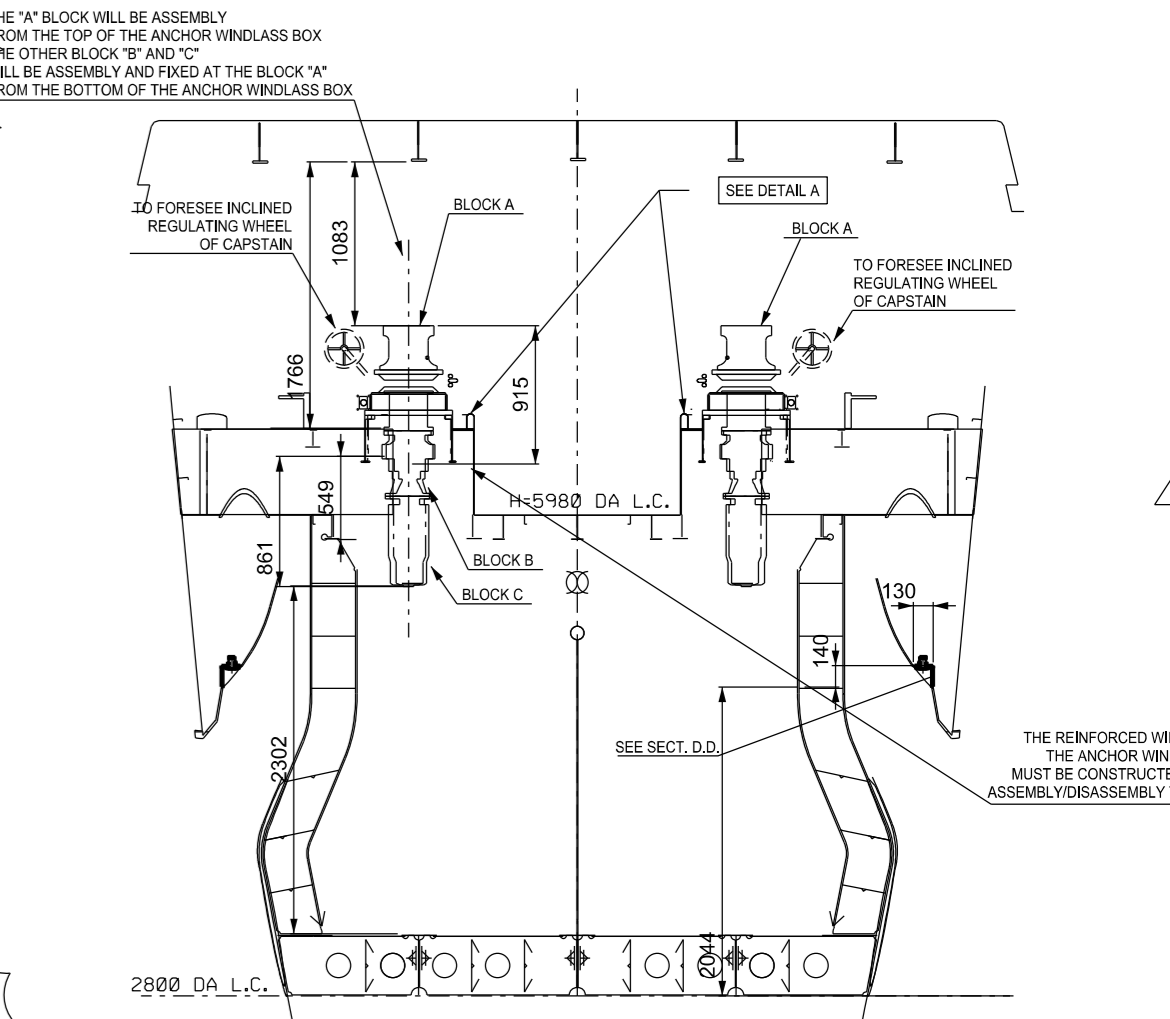
**SECTION FRAME 47**



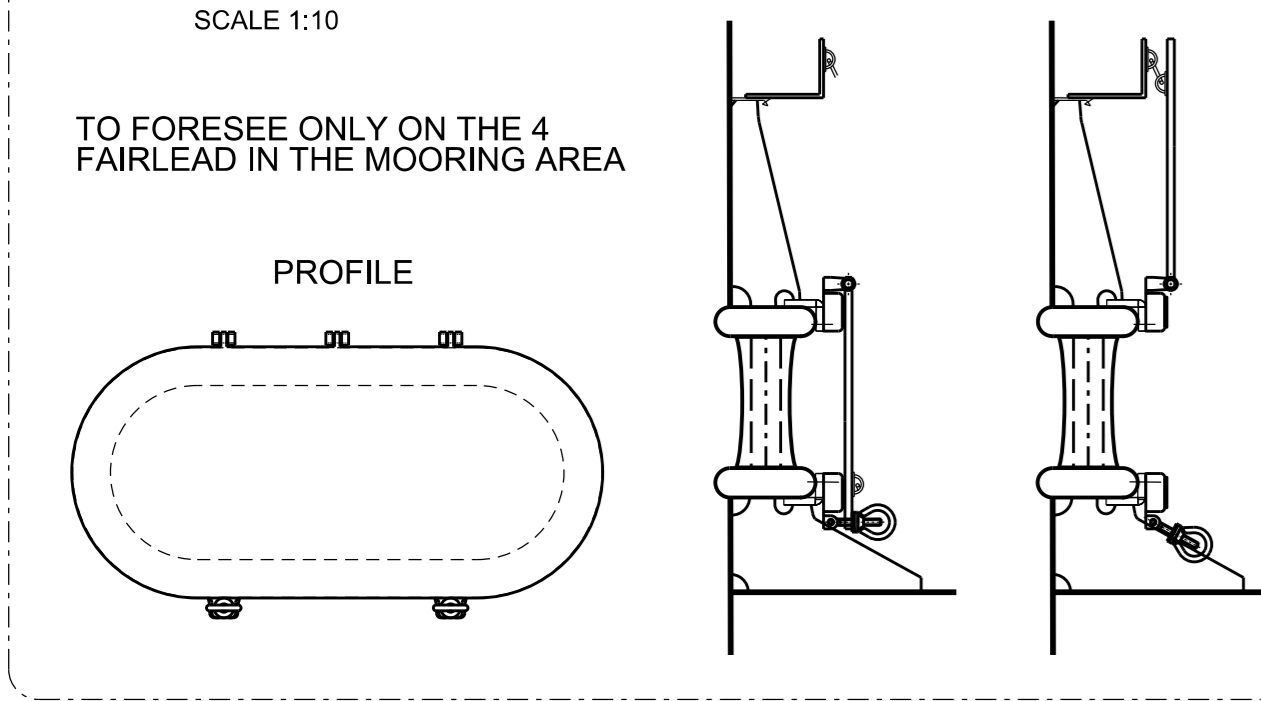
**SECTION G-G H4844**  
SCALE 1:10



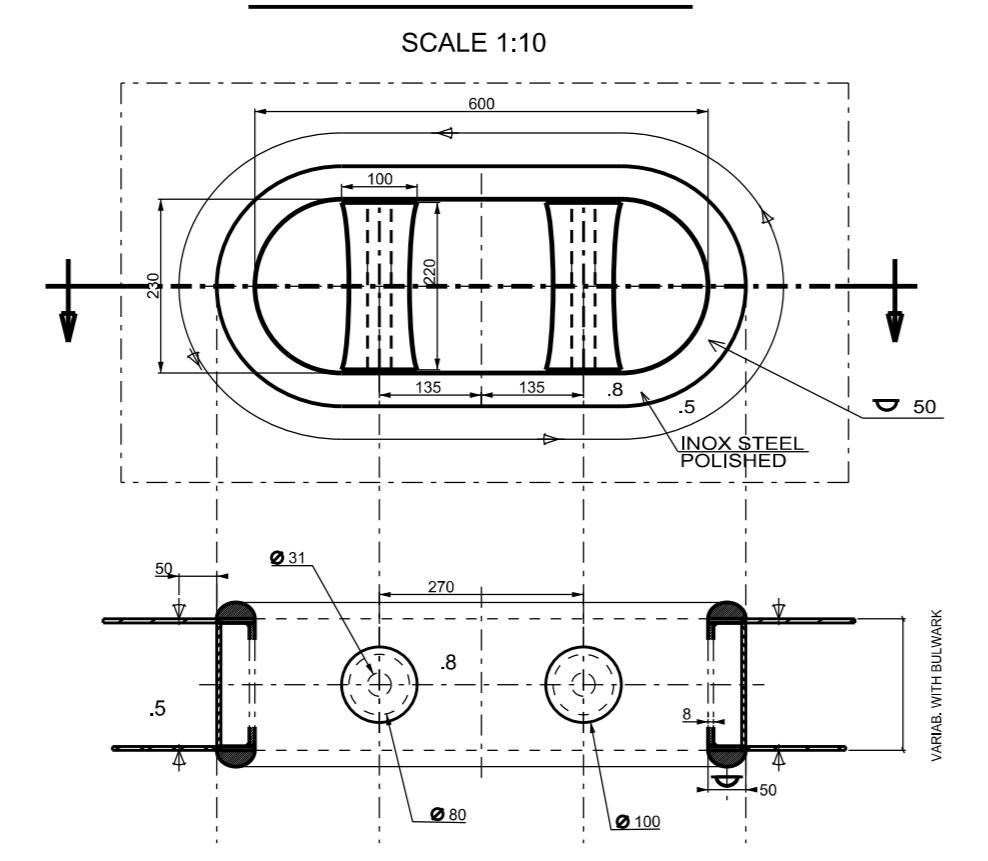
**SECTION FRAME 47.5**



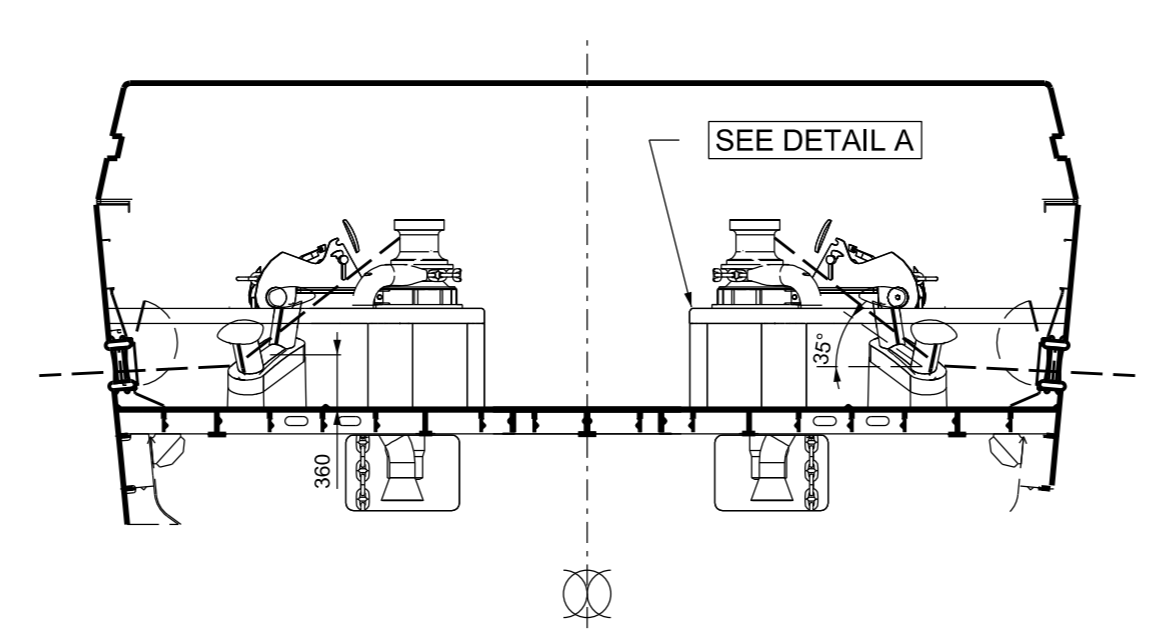
**DETAIL ITEM 23**  
SCALE 1:10



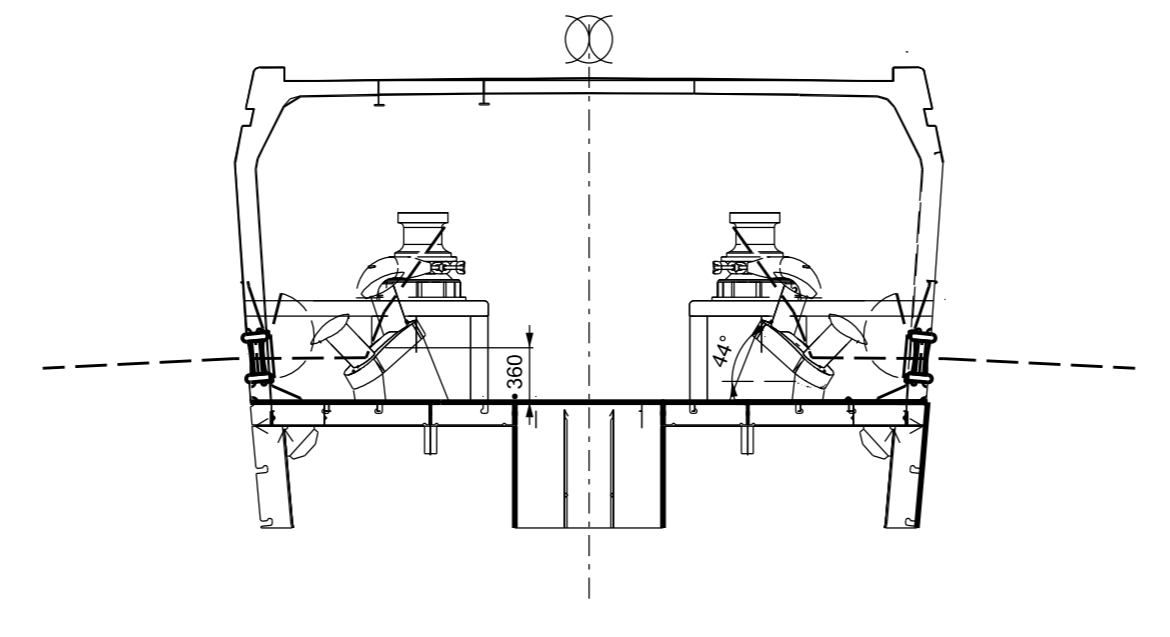
**DETAIL ITEM 18**  
SCALE 1:10



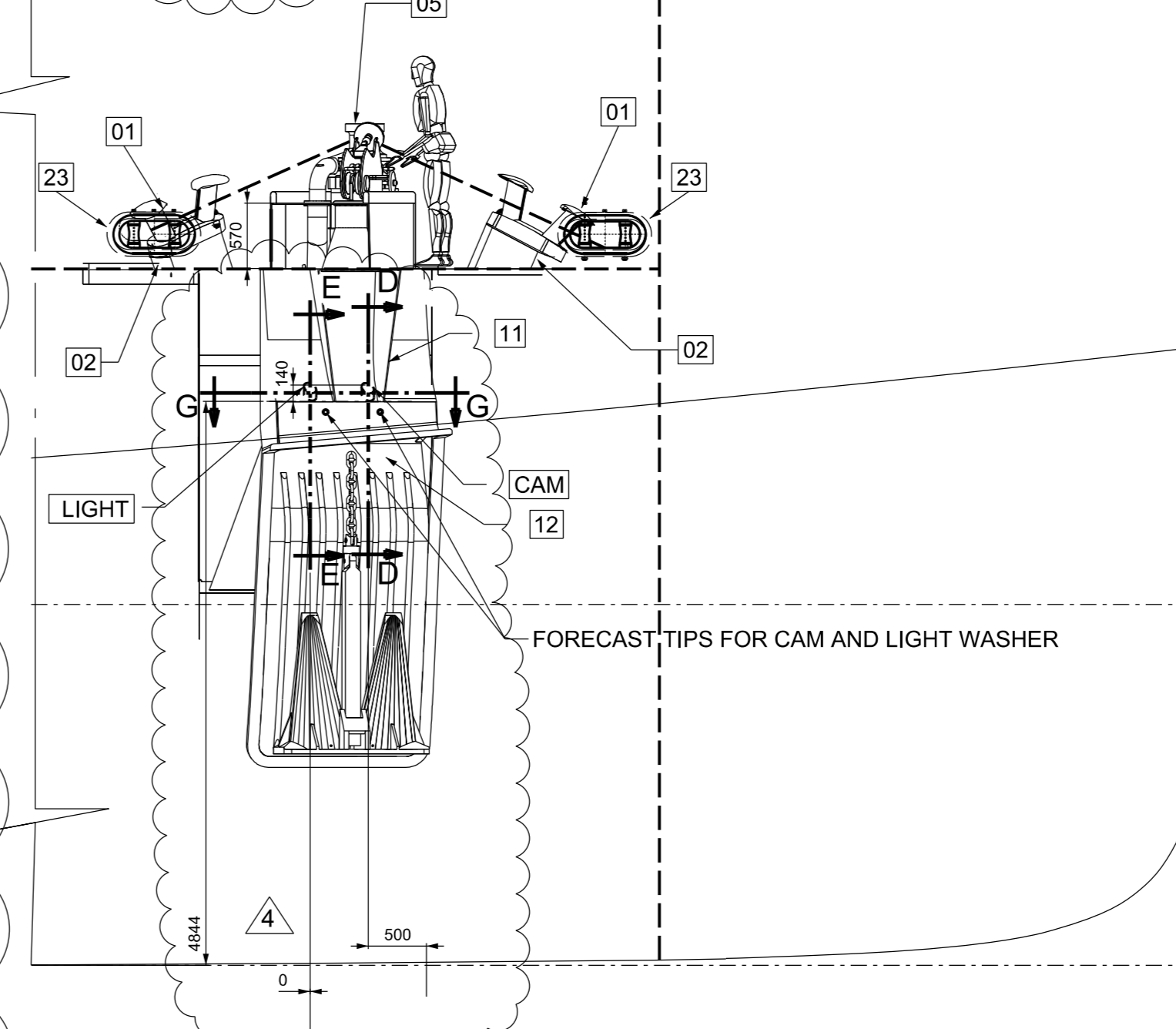
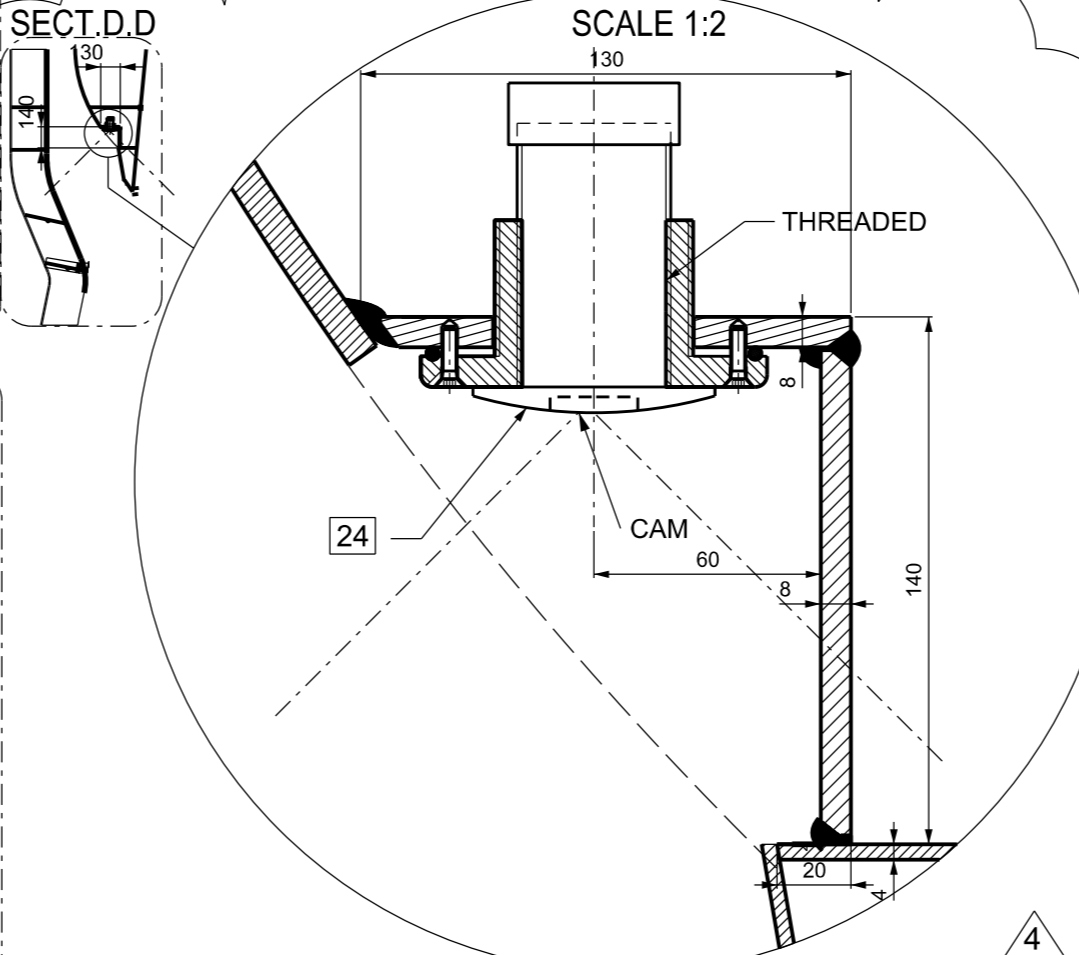
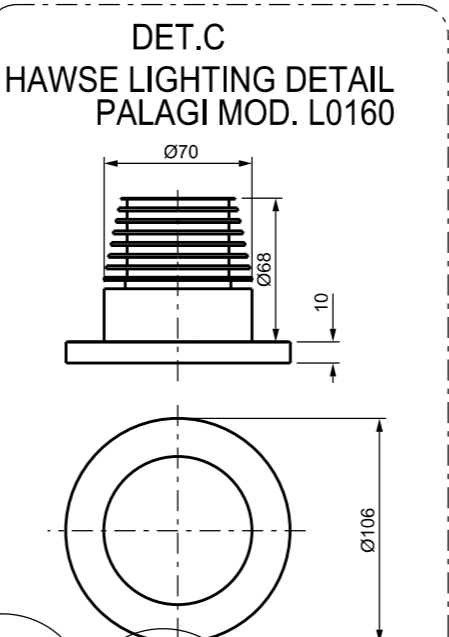
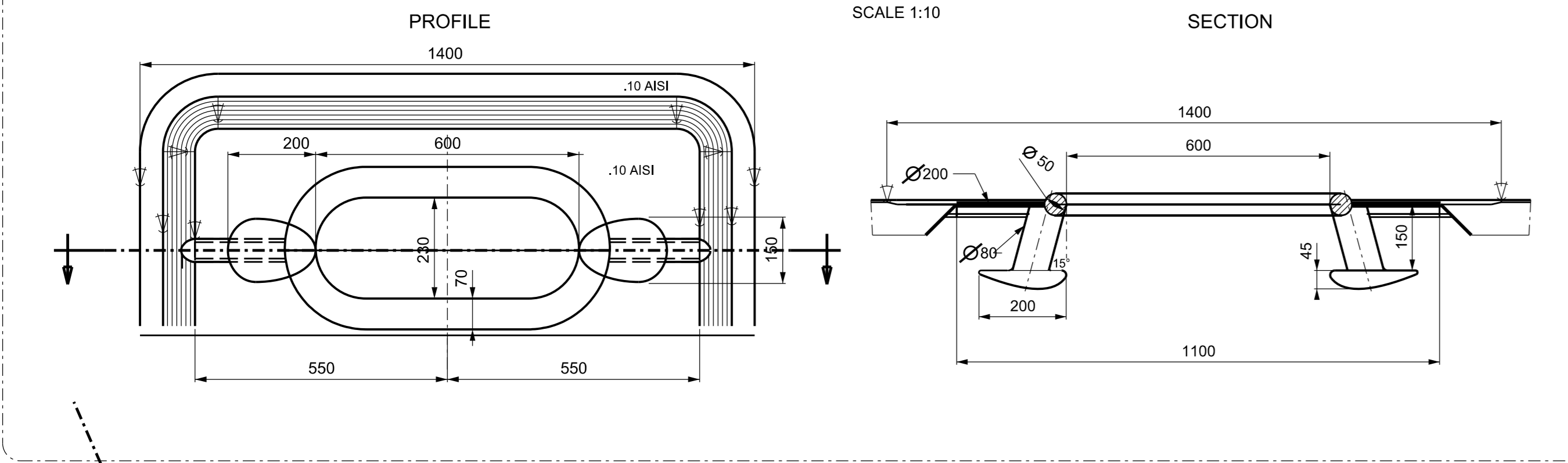
**SECTION C-C FRAME 45**



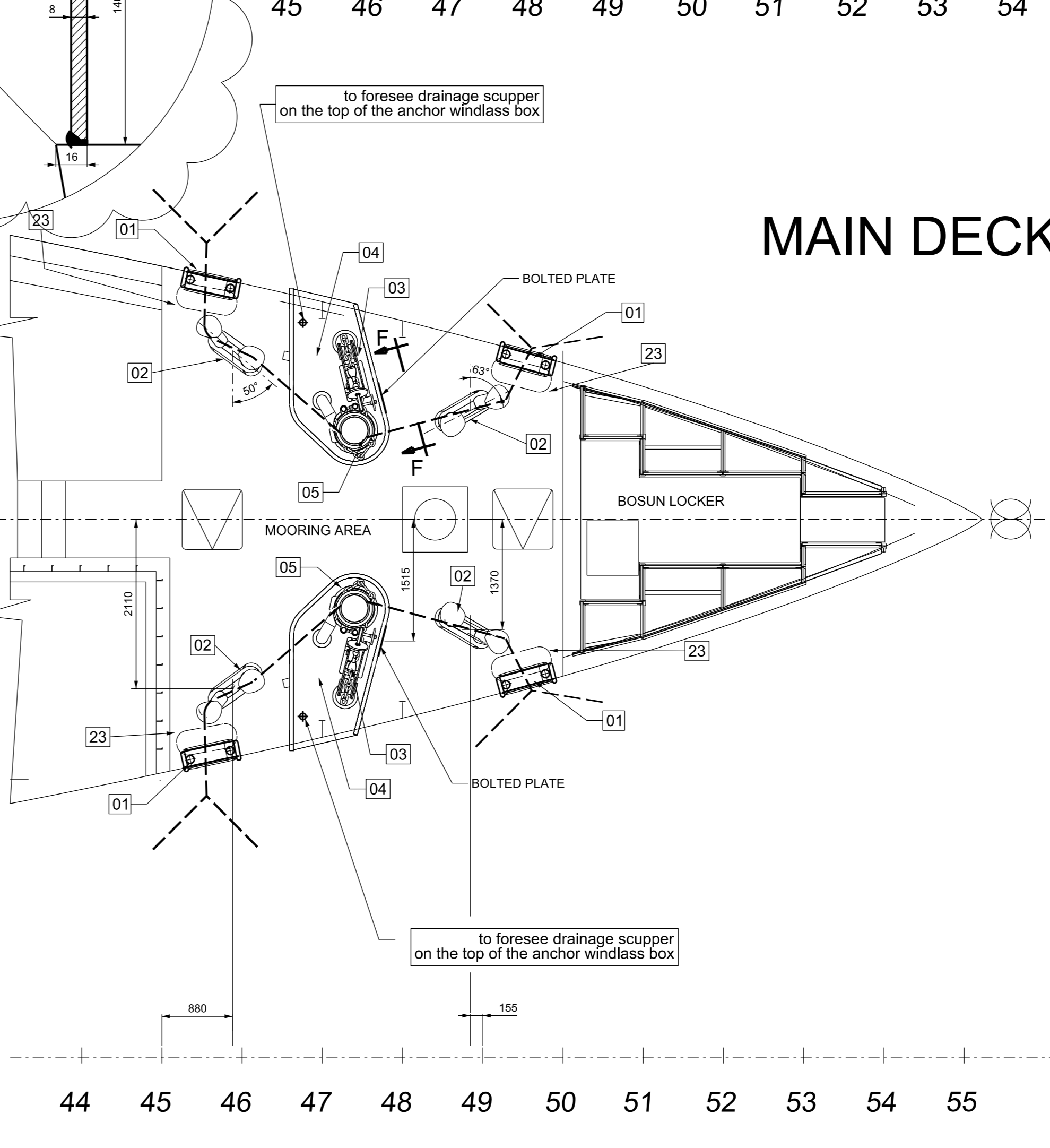
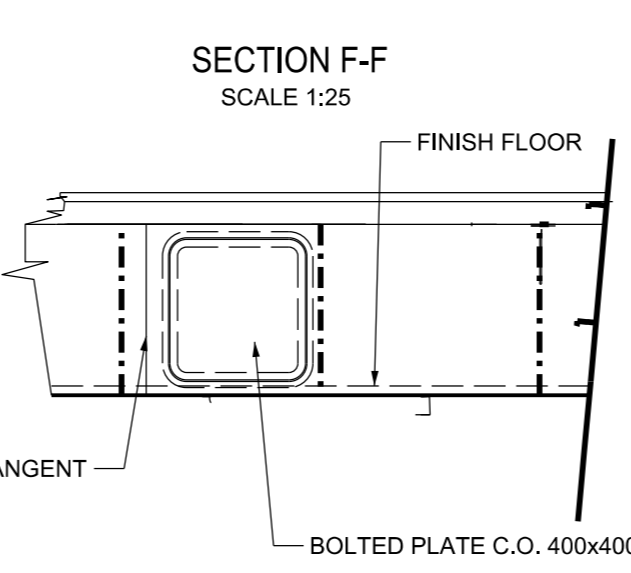
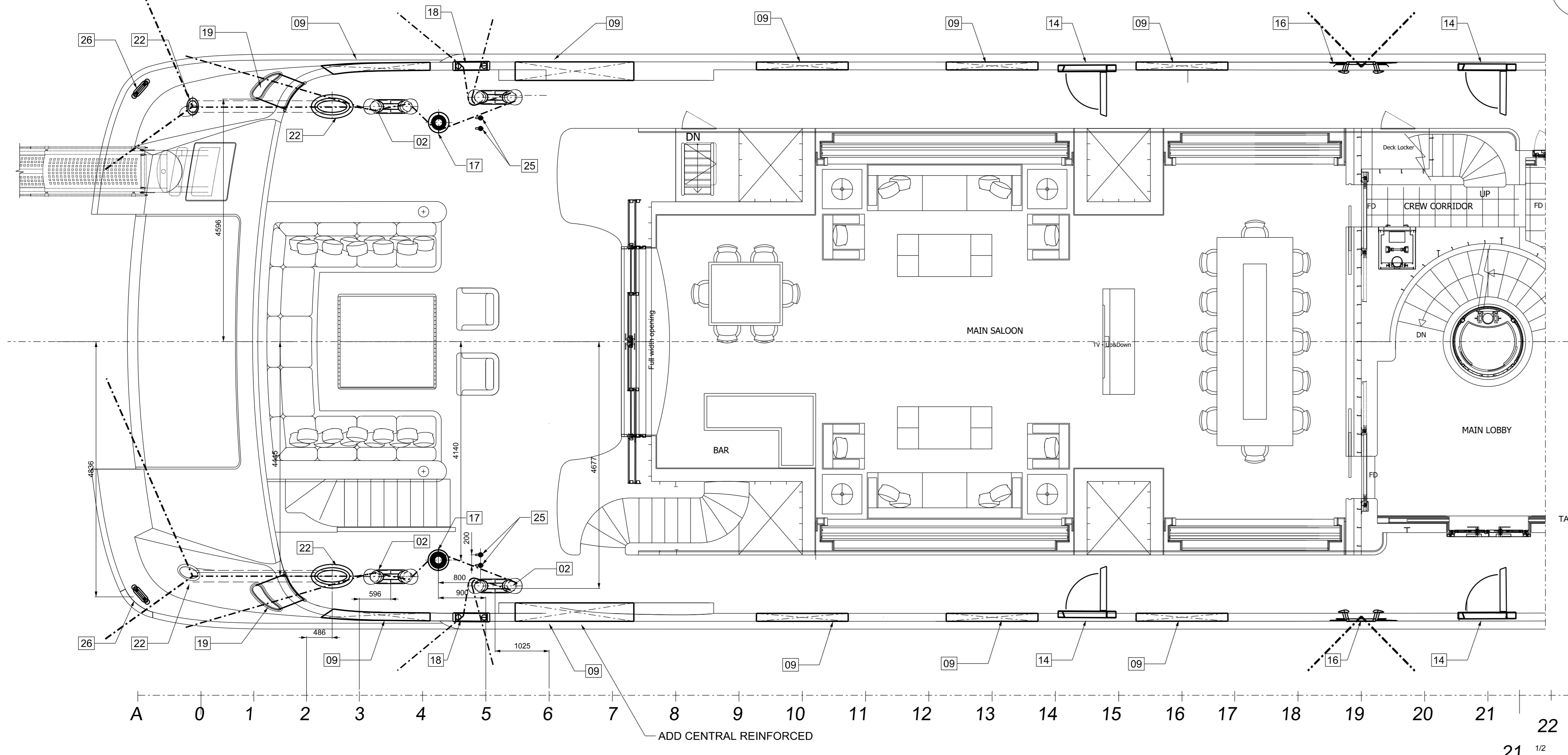
**SECTION B-B FRAME 50  
LOOKING AFT**



**DETAIL ITEM 16**  
SCALE 1:10



**MAIN DECK**



27	LUCE PER TELECAMERA - CAM LIGHT	02	PALAGI L0160
26	BITTA SU SPAGGETTA DI POPPA - AFT PLATFORM BOLLARD	02	AISI 316 L - DIM. 30% LESS OF 700X210
25	PULSANTE A PIEDE - FOOT SWITCH	04	OPEN SISTEMI - EPAG8
24	TELECAMERA PER ANCORAZIONE - ANCHOR CAM	02	DROPSHOT 70° 80° DEGRES
23	COPERCHIO PER PASSACAVO - FAIRLEAD COVER	04	AISI 316 L - DIM. TBD
22	TUBO PASSACAVO Pp - MOORING HAWSE PIPE	02	AISI 316 L - DIM. REFER LIB. 2059 SHEET 7
21	PASSERELLA - GANGWAY	01	TBD
20	PORTA PAVESATA POPPA - BULWARK AFT DOOR	01	TBD
19	PASSACAVO POPPA CON RULLI - AFT ROLLERS FAIRLEAD	02	AISI 316 L - DIM. 600x210 - Lib. 7048/00
18	PASSACAVO LAT. CON RULLI - SIDE ROLLERS FAIRLEAD	02	AISI 316 L - DIM. 600x210 - Lib. 7049/01
17	TONNEGGIO - WARPING CAPSTAN	02	TBD
16	PASSACAVO A CORNA - HORN FAIRLEAD SHAPE	02	AISI 316 L - DIM. 460x210 - Lib. 7047/01
14	PORTA LAT. PAVESATA - BULWARK SIDE DOOR	02	REF. DRWG. N. 276-2436
13	SCALA REALE - AUTOMATIC ACCOMMODATION LADDER	01	REF. DRWG. N. 276-2520
12	ANCORA - ANCHOR	02	HIGH HOLDING POWER
11	PIASTRONE BATTUTA ANCORAZIONE - ANCHOR PLATE	02	AISI 316 L
09	GRANDI MASSE - FREING PORT	18	AISI 316 L - REF. DRWG. N. 276-0152
05	VERICELLO SALPANCORE - ANCHOR WINDLASS	02	TBD
04	INGRESSO CATENA - CHAIN INLET	02	AISI 316 L - DIM. TBD
03	TUBO DI CUBIA - HAWSE PIPE	02	AISI 316 L - DIM. TBD
02	BITTA - BOLLARD	08	AISI 316 L - REF. LIB. 2058 REV.2 SHEET 5 BOLLARD TYPE 2
01	PASSACAVO PRUA CON RULLI - FWD. ROLLERS FAIRLEAD	04	AISI 316 L - DIM. 600x210
ITEM	DESCRIPTION	QTY	REFERENCE DRAWING - SUPPLIER

276-2436	Bulkhead side door
LIB.2058 REV.2	Typical detail bollard
276-0101-09-01	General Plan
n°	Reference Drawing

01	12/02/2016	UPDATE MODEL 0180 REV 2 FOR FREIN PORT AND FAIRLEAD				
02	20/10/2016	UPDATE BOLLARD WITH FREING PORT	FPC	SRA	LFR	MDA
03	07/10/2016	ELIMINATE DOOR FOR INSPECTION AND ADD CAM AND LIGHT FOR ANCHOR. ADD BOLTED PLATE ON MOORING AREA			RAGGI	FRUZZETTI D'ANNA
04	13/01/2017	ADD CAM AND LIGHT FOR ANCHOR. ADD DET. C.5. HAWSE LIGHTING DETAIL L0160	V. N.	R. P.		FRUZZETTI D'ANNA
Rev/Upd.	Data	Descrizione	Aggiornamenti	Update	Description	Drawn by / Checked by / Approved by

**Beretti** Proprietà di AZIMUT-DEFETTI s.p.a. - Direzione Generale: Via S. Maria Maddalena, 10 - 00187 Roma - Tel. +39 06 49812001 Fax +39 06 49812002

**Lloyd's Register of Shipping**

**Motor Yacht 63 mt**  
Piano di Ormeggio  
*Mooring Plan*

FB276	276-2301	04	1/1	276-2301	07/05/2015
-------	----------	----	-----	----------	------------